

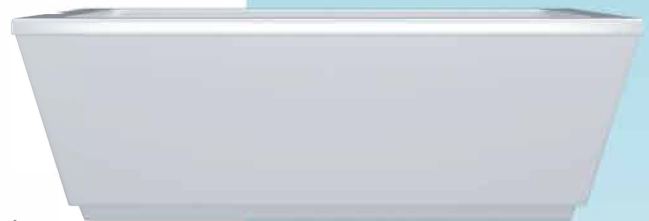


JETTA
AIR HYDROTHERAPY



Cosmo Collection

ATLAS



(J860M) 67" x 34" x 23"

APPROX. OPERATING GALLONS: 81
AIR INJECTORS: 36

GENERAL

- Sleek, contemporary look
- High-gloss / high-impact acrylic
- Leveling feet
- White integrated linear waste & overflow

SYSTEM

- Seamless air injectors around tub perimeter
- Highly variable speed blower motor with 600 watt heater:
115 Volt - 10 Amps - 1 HP
- Blower must be remote mounted at installation
- Electronic keypad control with variable speeds and
3 settings - Pulse, Wave, or Continuous

COLORS AVAILABLE

White



COSMO ABOVE FLOOR DRAIN KIT

- Freestanding tub rough-in
- Install before tile
- Designed to be installed in a 8" to 10" joist space
- Can be installed with waterproof membrane

Sold separately.
Not required for tub install

FOR INFORMATION OR
TO PLACE AN ORDER
CALL 1.800.288.7771



TECHNICAL SPECIFICATIONS

ATLAS J860M

67" x 34" x 23" RECTANGLE AIR

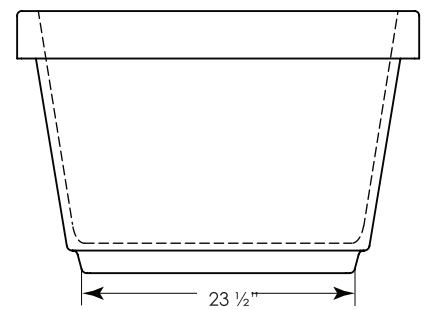
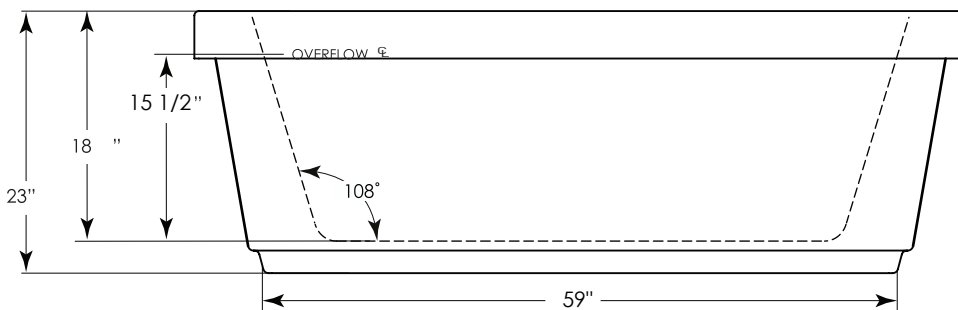
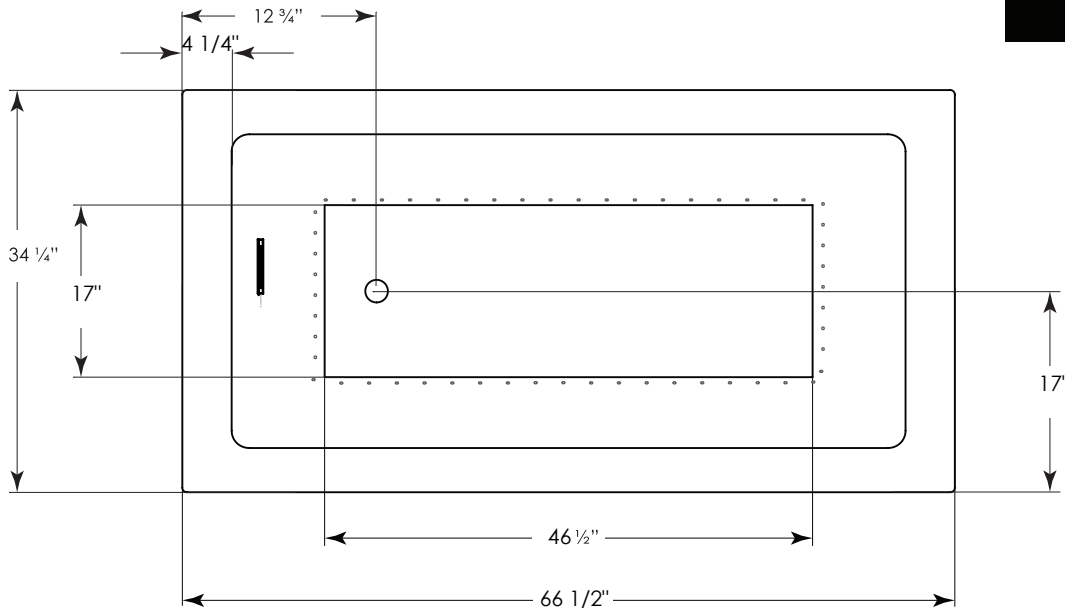
ELECTRICAL SPECIFICATIONS

Required Electrical Service 110/115 Volts
Standard Air 20 amp GFI

Each blower must be protected by a dedicated GFI breaker (refer to local code). Cannot be more than 15 ft from the tub.

CODES/STANDARDS APPLICABLE

Specific model meets or exceeds the requirements for the following standards: ANSI, ASME



JETTA

JETTACORP.COM

INSTALLATION: Measure tub before installing.
Dimensional variance on drawings may be +/- 1/2 inch and are subject to change without notice.

© 2018 Jetta Corporation. All rights reserved.
Specifications are subject to change without notice.
REV 04/2021