



MATTHEW

(E120S)

60" x 42" x 21" END DRAIN

Sleek armrests inside a minimalist bathing well with an integrated backsplash and skirt create a convenient alcove installation.

FEATURES

- High-gloss/high-impact, UV-resistant acrylic will not dull or fade
- Installation: Alcove
- Minimalist tub profile
- 1 person bathing well
- Integrated 3" tall backsplash with 1" tall integrated tile flange

AVAILABLE MODELS

- Soaker

OPTIONS

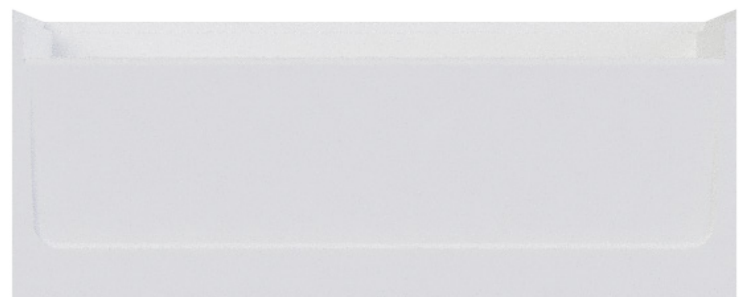
- Waste and overflows
- Spa pillows

COLORS

White

OPERATING GALLONS

36 (Approximate)



SKIRT

FOR INFORMATION
OR TO PLACE AN ORDER
CALL 1.800.288.7771

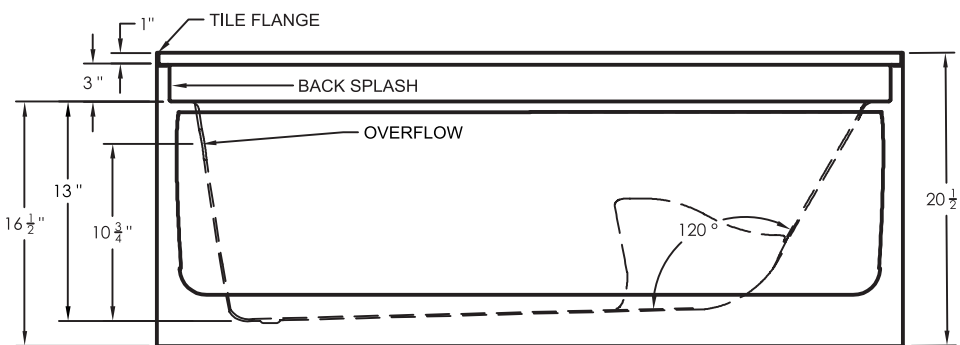
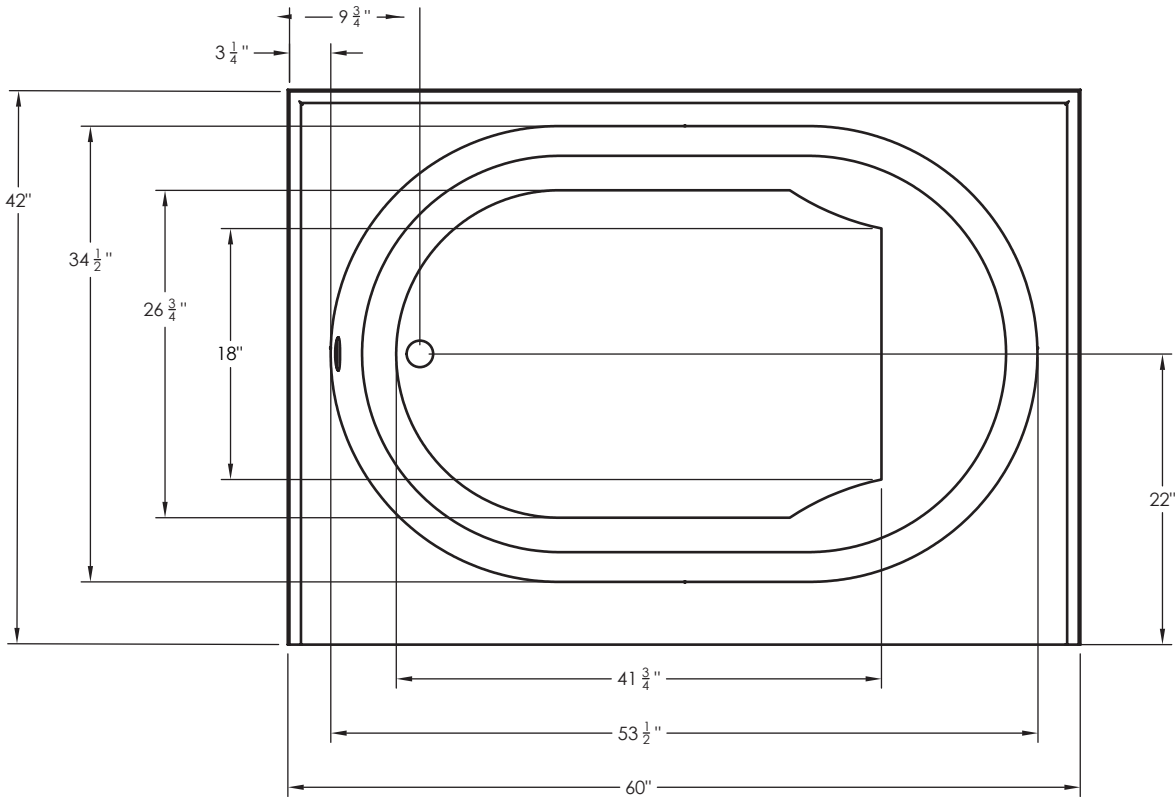


E120S

Advantage Collection

MATTHEW

JETTA SOAK HYDROTHERAPY | 60" x 42" x 21" | END DRAIN



CODES/STANDARDS APPLICABLE

Specific model meets or exceeds the requirements for the following standards: ANSI, ASME

SHIPPING WEIGHT 128 lbs



For best results, Jetta Corporation recommends 1"-3" of mortar bedding under the tub base for maximum support. Contact Jetta for details. Dimensional variance on drawings may be +/- 1/2 inch and are subject to change without notice.

JETTACORP.COM



© 2022 Jetta Corporation. All rights reserved. Specifications are subject to change without notice. REV 11/2022

TECHNICAL SPECIFICATIONS