

Affinity Collection

J-56L

72" X 36" X 21"

END DRAIN



JETTAIR
HYDROTHERAPY

JETTA

PORTER

72" X 36" X 21" - RECTANGLE (1 PERSON)

FEATURES

- 40 seamless air injectors
- 600 watt air heater
- Suitable for drop-in or undermount applications
- High gloss/high impact acrylic
- Totally insulated with polyurethane foam
- Pre-leveled lip
- Slip resistant bottom
- Linear drain
- LED light standard
- Electronic keypad control
- Sound absorption
- 10 year limited factory warranty

OPTIONS AVAILABLE

- Contoured neck pillow or Deluxe contoured neck pillow
- 6" acrylic grab bars

COLORS AVAILABLE

Standard Color: White

Decorator Colors*: Bone, Biscuit, Black, Ice Grey

*Require additional lead time

RECOMMENDED OPERATING GALLONS

Minimum: 51

Maximum: 102

*Minimum operating gallon capacity required for system operation



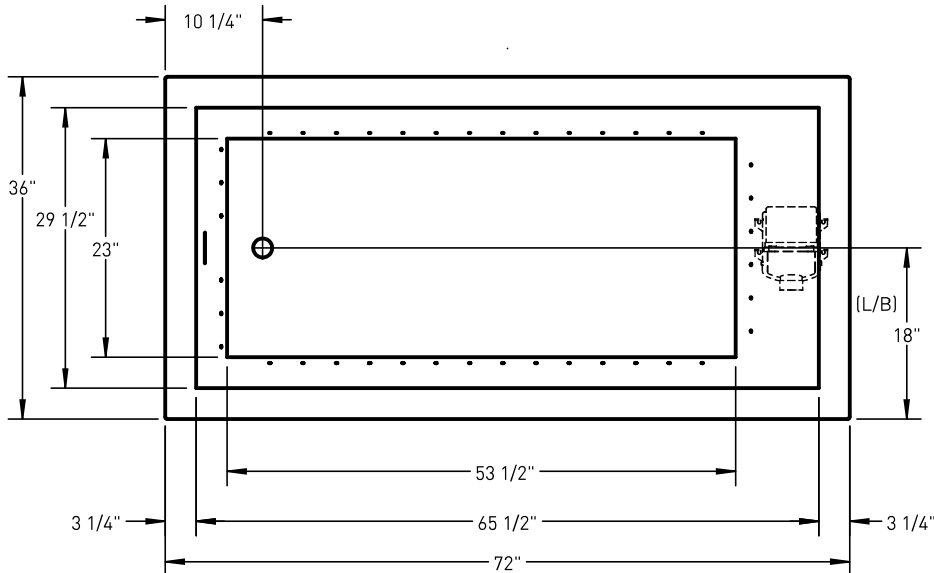
JETTACORP.COM



J-56L

Affinity Collection PORTER

JETTA AIR HYDROTHERAPY | 72" X 36" X 21" | END DRAIN



Note: optional pump/blower positions available.
R/B for right side drain, L/B for left side drain



INSTALLATION: MEASURE TUB BEFORE BUILDING TUB DECK.

For best results, Jetta Corporation recommends 1"-3" of mortar bedding under the tub base for maximum support. Drawing shows manufacturer's standard blower location(s). Contact Jetta for details. Dimensional variance on drawings may be +/- 1/2 inch and are subject to change without notice.

JETTACORP.COM

ELECTRICAL SPECIFICATIONS

Required Electrical Service 110/115 Volts
Standard Air 20 amp GFI
Each blower must be protected by a dedicated GFI breaker (refer to local codes).

CODES/STANDARDS APPLICABLE

for the following standards: UL Listed, ANSI, ASME

SUGGESTED BLOWER ACCESS PANEL

Suggested access size 20" x 12"
Actual size may vary depending on distance of access to blower location.

DROP-IN CUT OUT DIMENSIONS

Subtract 1" from length and width dimensions
Actual cut out dimension 71" x 35"

SHIPPING WEIGHT 155 lbs

*L/B blower positions are standard.
Custom blower locations available upon request.



© 2016 Jetta Corporation. All rights reserved. Specifications are subject to change without notice.
REV 01/2016

TECHNICAL SPECIFICATIONS