

# COSMO+PLUS

# LARISSA

## J802

60"L x 31"W x 27"H

APPROX. OPERATING GALLONS: 47

- Sleek, contemporary look
- High-gloss/high-impact, UV-resistant acrylic will not dull or fade
- Installation: Freestanding
- Leveling feet
- Integrated linear waste & overflow with white drain cap
- Available with JettaAir
- JettaAir features floating remote control for easy operation
- JettaAir available with seamless air injectors around tub perimeter
- JettaAir blower must be remote mounted at installation



COLORS AVAILABLE: White

## ABOVE FLOOR DRAIN KIT

- Freestanding tub rough-in
  - Install before tile
  - Designed to be installed in a 8" to 10" joist space
  - Can be installed with waterproof membrane
- Sold separately. Not required for tub install.**



  
JETTACORP.COM

FOR INFORMATION OR  
TO PLACE AN ORDER  
**CALL 1.800.288.7771**

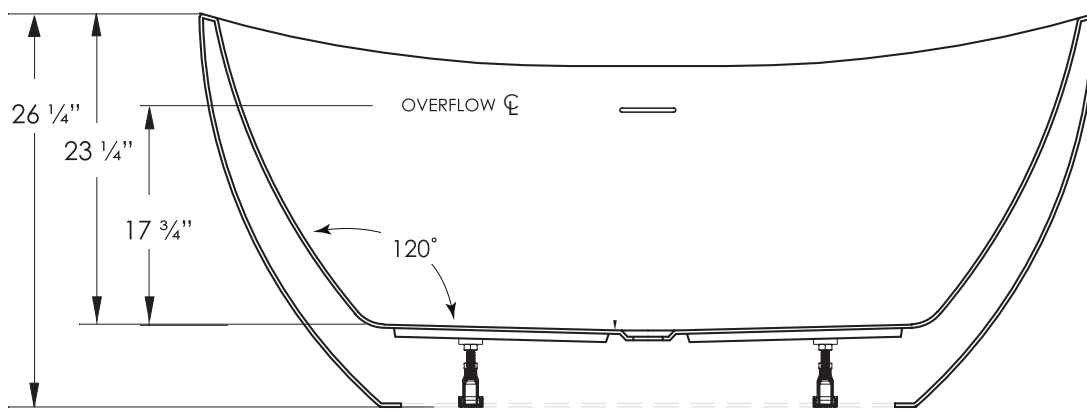
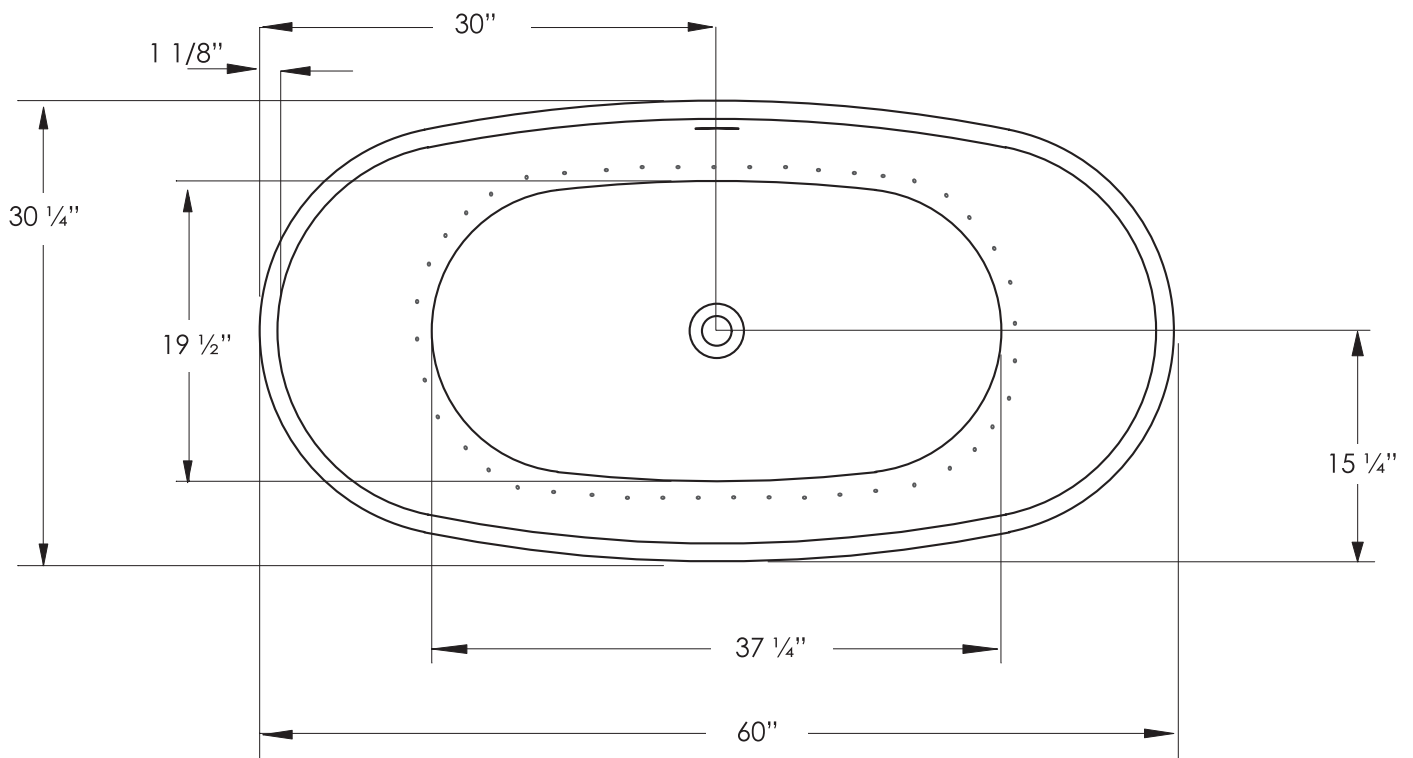
# LARISSA J802

SHIPPING WEIGHT: 108 lbs

60"L x 31"W x 27"H

# COSMO+PLUS

TECHNICAL SPECIFICATIONS



### ELECTRICAL SPECIFICATIONS

Required Electrical Service 110/115 Volts  
Standard Air 20 amp GFI

Each blower must be protected by a dedicated GFI breaker (refer to local codes). Cannot be more than 15 ft from the tub.

### CODES/STANDARDS APPLICABLE

Specific model meets or exceeds the requirements for the following standards: ANSI, ASME



### INSTALLATION: Measure tub before installing.

Dimensional variance on drawings may be +/- 1/2 inch and are subject to change without notice.

© 2023 Jetta Corporation. All rights reserved. Specifications are subject to change without notice. REV 4/23



JETTACORP.COM