

COSMO+PLUS

NASH

J864

67" L x 32" W x 23" H

APPROX. OPERATING GALLONS: 53

- Sleek, contemporary look
- High-gloss/high-impact, UV-resistant acrylic will not dull or fade
- Installation: Freestanding
- Magnetic access panel for easy deck mount faucet installation
- Leveling feet
- Integrated linear waste & overflow with white drain cap
- Available with JettaAir
- JettaAir features floating remote control for easy operation
- JettaAir available with Seamless air injectors around tub perimeter
- JettaAir blower must be remote mounted at installation



COLORS AVAILABLE: White



rear plumbing access panel with magnetic cover

ABOVE FLOOR DRAIN KIT

- Freestanding tub rough-in
 - Install before tile
 - Designed to be installed in a 8" to 10" joist space
 - Can be installed with waterproof membrane
- Sold separately. Not required for tub install.**




JETTACORP.COM

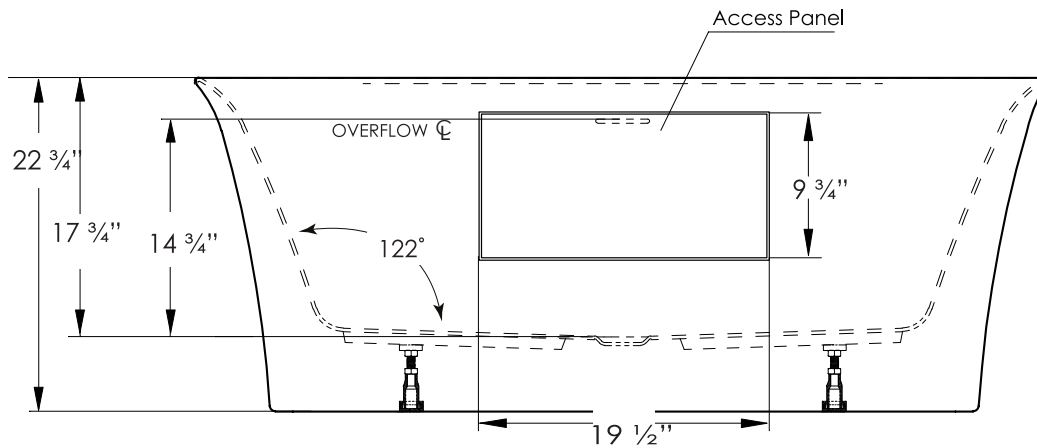
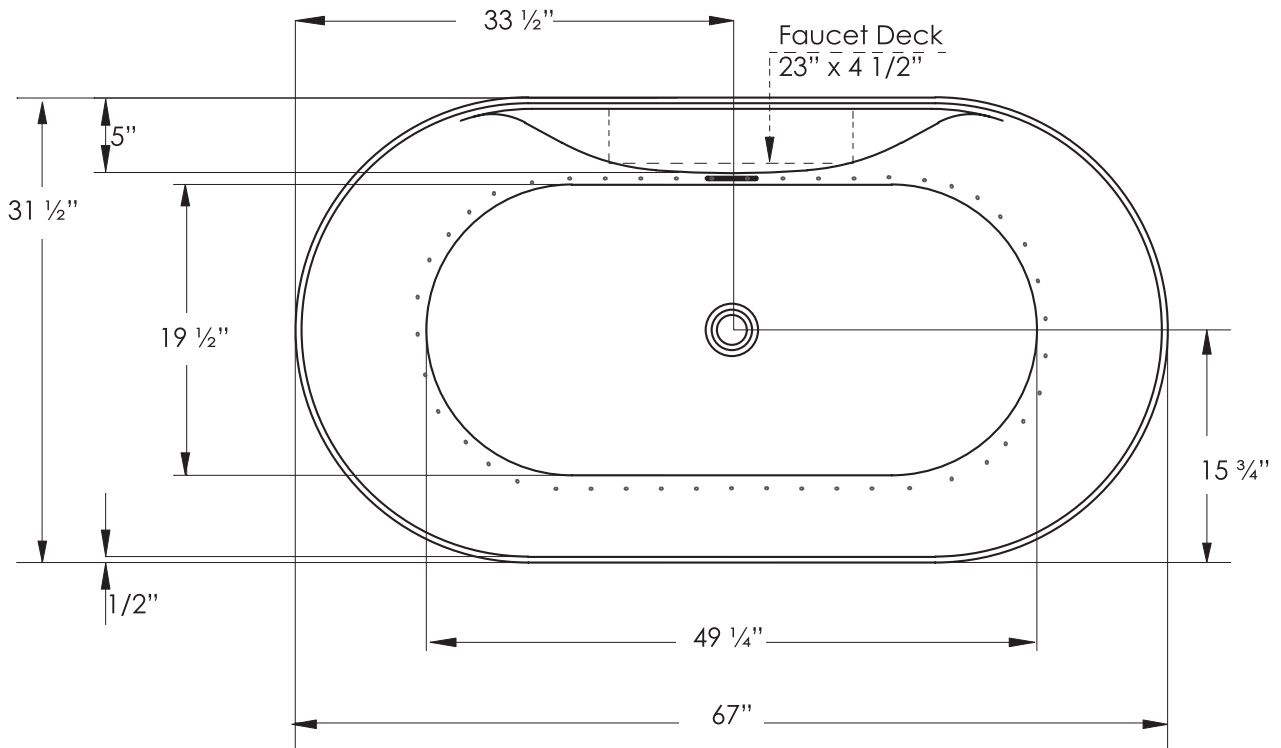
FOR INFORMATION OR
TO PLACE AN ORDER
CALL 1.800.288.7771

NASH J864

SHIPPING WEIGHT: 127 lbs
67"L x 32"W x 23"H

COSMO PLUS

TECHNICAL SPECIFICATIONS



ELECTRICAL SPECIFICATIONS

Required Electrical Service 110/115 Volts
Standard Air 20 amp GFI

Each blower must be protected by a dedicated GFI breaker (refer to local codes). Cannot be more than 15 ft from the tub.

CODES/STANDARDS APPLICABLE

Specific model meets or exceeds the requirements for the following standards: ANSI, ASME



INSTALLATION: Measure tub before installing.

Dimensional variance on drawings may be +/- 1/2 inch and are subject to change without notice.

© 2023 Jetta Corporation. All rights reserved. Specifications are subject to change without notice. REV 4/23



JETTACORP.COM