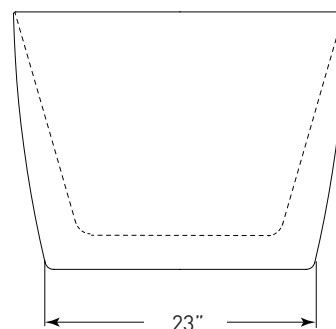
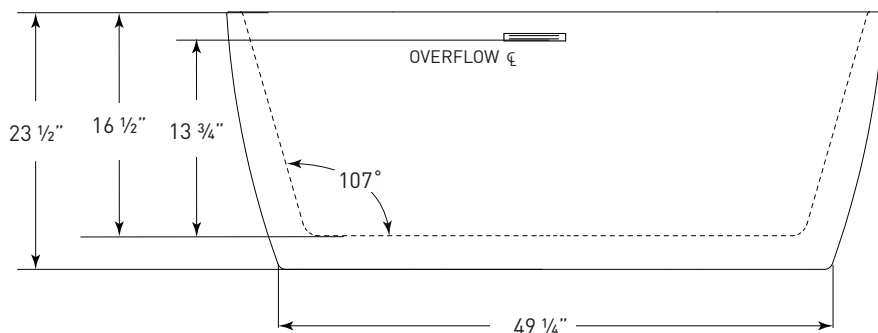
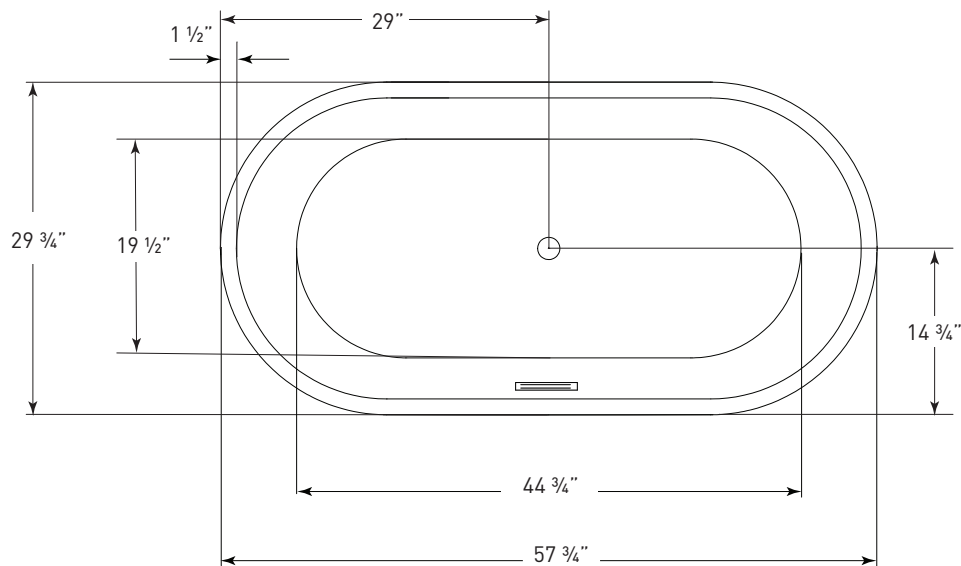


TECHNICAL SPECIFICATIONS

ALDRIN *J-82*

58" x 30" x 23" OVAL SOAKER



JETTACORP.COM

INSTALLATION: Measure tub before installing.
Dimensional variance on drawings may be +/- 1/2 inch and are subject to change without notice

© 2018 Jetta Corporation. All rights reserved.
Specifications are subject to change without notice.
REV 01/2018