

Affinity Collection

# J-58L

72" X 42" X 21"

END DRAIN



**JETTASOAK**  
HYDROTHERAPY

**JETTA**

# PORTER

**72" X 42" X 21" - RECTANGLE** (1 PERSON)

## FEATURES

- Suitable for drop-in or undermount applications
- High gloss/high impact acrylic
- Totally insulated with polyurethane foam
- Pre-leveled lip
- Slip resistant bottom
- Linear drain
- 10 year limited factory warranty

## OPTIONS AVAILABLE

- Mood or LED light
- Contoured neck pillow or  
Deluxe contoured neck pillow
- 6" acrylic grab bars

## COLORS AVAILABLE

**Standard Color:** White

**Decorator Colors\*:** Bone, Biscuit, Black,  
Ice Grey

\*Require additional lead time

## RECOMMENDED OPERATING GALLONS

**Minimum:** 63

**Maximum:** 126



JETTACORP.COM



# J-58L

Affinity Collection **PORTER**

**JETTA SOAK HYDROTHERAPY | 72" X 42" X 21" | END DRAIN**

### ELECTRICAL SPECIFICATIONS\*\*

Required Electrical Service  
110/115 Volts | 15 amp GFI

### CODES/STANDARDS APPLICABLE

for the following standards: UL Listed\*\*, ANSI, ASME

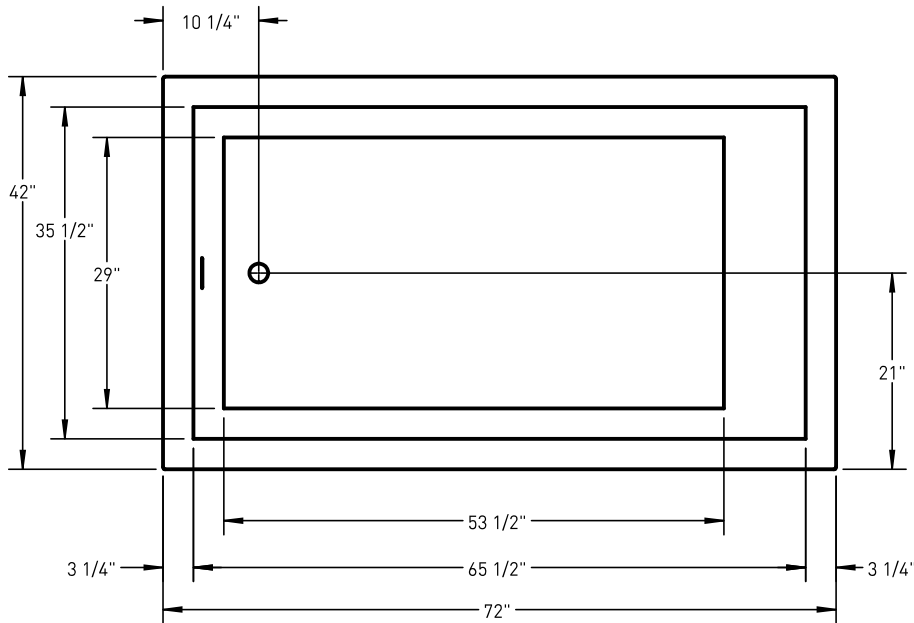
### DROP-IN CUT OUT DIMENSIONS

Subtract 1" from length and width dimensions  
Actual cut out dimension 71" x 41"

**SHIPPING WEIGHT** 160 lbs



\*\*Required only if optional mood or LED light is specified



Note: optional pump/blower positions available. R/B for right side drain, L/B for left side drain



### INSTALLATION: MEASURE TUB BEFORE BUILDING TUB DECK.

For best results, Jetta Corporation recommends 1"-3" of mortar bedding under the tub base for maximum support. Contact Jetta for details. Dimensional variance on drawings may be +/- 1/2 inch and are subject to change without notice.



JETTACORP.COM

© 2016 Jetta Corporation. All rights reserved. Specifications are subject to change without notice. REV 01/2016

# TECHNICAL SPECIFICATIONS