

Affinity Collection

J-56L

72" X 36" X 21"

END DRAIN



JETTAVHIRL
HYDROTHERAPY

JETTA

PORTER

72" X 36" X 21" - RECTANGLE (1 PERSON)

FEATURES

- 12 seamless InvisiJets including:
 - 2 jets on each end
 - 4 body jets on each side
- 2 B.P.H. pump – 9 Amps
- Suitable for drop-in or undermount applications
- High gloss/high impact acrylic
- Totally insulated with polyurethane foam
- Passive warm air induction system
- Gravity flow draining for sanitary bathing
- Anti-microbial flex piping
- Pre-leveled lip
- Slip resistant bottom
- Linear drain
- Sound absorption
- 10 year limited factory warranty



OPTIONS AVAILABLE

- Mood or LED light
- Contoured neck pillow or Deluxe contoured neck pillow
- 6" acrylic grab bars

COLORS AVAILABLE

Standard Color: White
Decorator Colors*: Biscuit

*Requires additional lead time

RECOMMENDED OPERATING GALLONS

Minimum: 51
Maximum: 102

*Minimum operating gallon capacity required for system operation

JETTACORP.COM

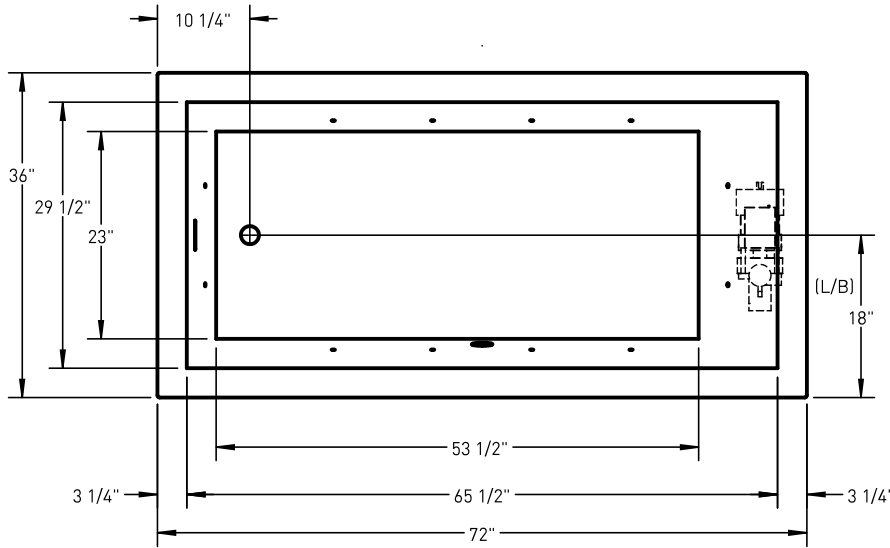


Jetta guarantees that the water temperature in our insulated whirlpool baths will stay within 2 degrees of its original fill temperature for 30 minutes of use without an inline heater.

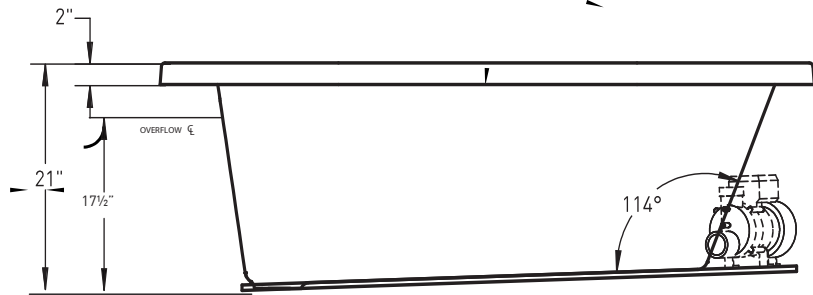
J-56L

Affinity Collection **PORTER**

JETTA WHIRL HYDROTHERAPY | 72" X 36" X 21" | END DRAIN



Note: optional pump/blower positions available.
R/B for right side drain, L/B for left side drain



ELECTRICAL SPECIFICATIONS

Required Electrical Service 110/115 Volts
Standard Whirlpool 20 amp GFI
Each pump must be protected by a dedicated GFI breaker (refer to local codes).

CODES/STANDARDS APPLICABLE

for the following standards: UL Listed, ANSI, ASME

SUGGESTED PUMP ACCESS PANEL

Suggested access size 20" x 12"
Actual size may vary depending on distance of access to pump location.

DROP-IN CUT OUT DIMENSIONS

Subtract 1" from length and width dimensions
Actual cut out dimension 71" x 35"

SHIPPING WEIGHT 165 lbs

*L/B pump positions are standard.
Custom pump locations available upon request.



INSTALLATION: MEASURE TUB BEFORE BUILDING TUB DECK.

For best results, Jetta Corporation recommends 1"-3" of mortar bedding under the tub base for maximum support. Drawing shows manufacturer's standard pump location(s). Contact Jetta for details. Dimensional variance on drawings may be +/- 1/2 inch and are subject to change without notice.

JETTACORP.COM



© 2016 Jetta Corporation. All rights reserved. Specifications are subject to change without notice.
REV 01/2016

TECHNICAL SPECIFICATIONS