

Affinity Collection

J-56L

72" X 36" X 21"

END DRAIN



JETTASOAK
HYDROTHERAPY

JETTA

PORTER

72" X 36" X 21" - RECTANGLE (1 PERSON)

FEATURES

- Suitable for drop-in or undermount applications
- High gloss/high impact acrylic
- Totally insulated with polyurethane foam
- Pre-leveled lip
- Slip resistant bottom
- Linear drain
- 10 year limited factory warranty

OPTIONS AVAILABLE

- Mood or LED light
- Contoured neck pillow or Deluxe contoured neck pillow
- 6" acrylic grab bars

COLORS AVAILABLE

Standard Color: White

Decorator Colors*: Bone, Biscuit, Black, Ice Grey

*Require additional lead time

RECOMMENDED OPERATING GALLONS

Minimum: 51

Maximum: 102



JETTACORP.COM



J-56L

Affinity Collection **PORTER**

JETTA SOAK HYDROTHERAPY | 72" X 36" X 21" | END DRAIN

ELECTRICAL SPECIFICATIONS**

Required Electrical Service
110/115 Volts | 15 amp GFI

CODES/STANDARDS APPLICABLE

for the following standards: UL Listed**, ANSI, ASME

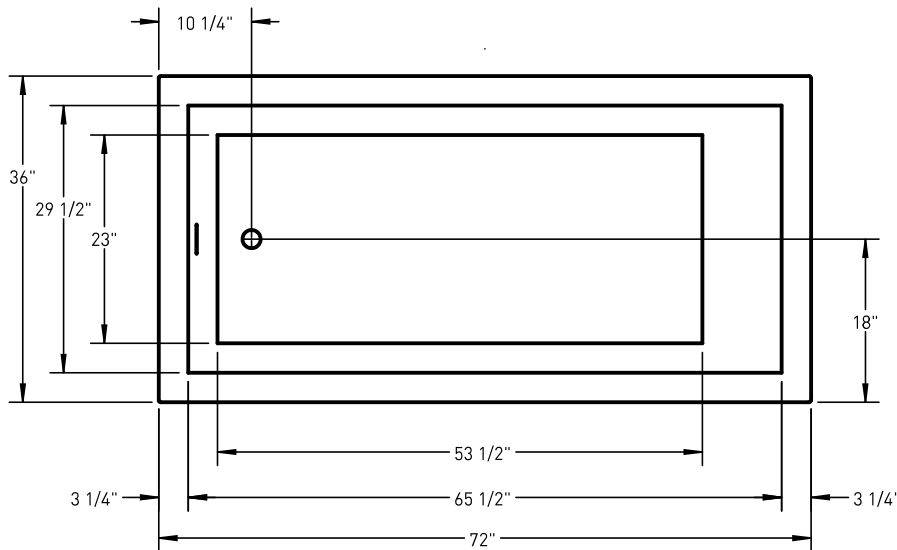
DROP-IN CUT OUT DIMENSIONS

Subtract 1" from length and width dimensions
Actual cut out dimension 71" x 35"

SHIPPING WEIGHT 145 lbs

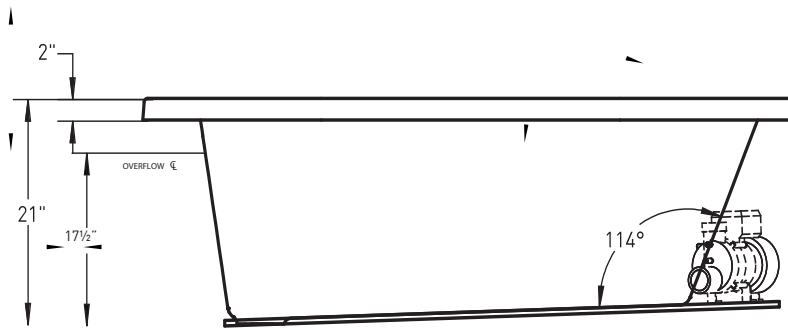


**Required only if optional mood or LED light is specified



Note: optional pump/blower positions available.

R/B for right side drain, L/B for left side drain



INSTALLATION: MEASURE TUB BEFORE BUILDING TUB DECK.

For best results, Jetta Corporation recommends 1"-3" of mortar bedding under the tub base for maximum support. Contact Jetta for details.

Dimensional variance on drawings may be +/- 1/2 inch and are subject to change without notice.



JETTACORP.COM

© 2016 Jetta Corporation. All rights reserved. Specifications are subject to change without notice.
REV 01/2016

TECHNICAL SPECIFICATIONS