

# COSMO+PLUS

# ELIO

**J866**

**67" L x 32" W x 27" H**

APPROX. OPERATING GALLONS: 48

- Sleek, contemporary look
- High-gloss/high-impact, UV-resistant acrylic will not dull or fade
- Installation: Freestanding
- Leveling feet
- Integrated linear waste & overflow with white drain cap



COLORS AVAILABLE: White



accommodates  
stacked packaging

## ABOVE FLOOR DRAIN KIT

- Freestanding tub rough-in
  - Install before tile
  - Designed to be installed in a 8" to 10" joist space
  - Can be installed with waterproof membrane
- Sold separately. Not required for tub install.**



  
JETTACORP.COM

FOR INFORMATION OR  
TO PLACE AN ORDER  
**CALL 1.800.288.7771**

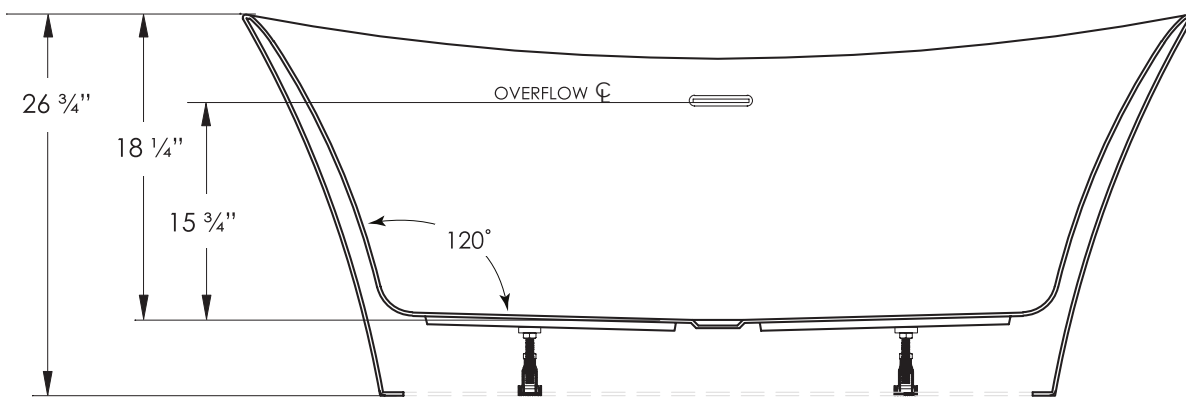
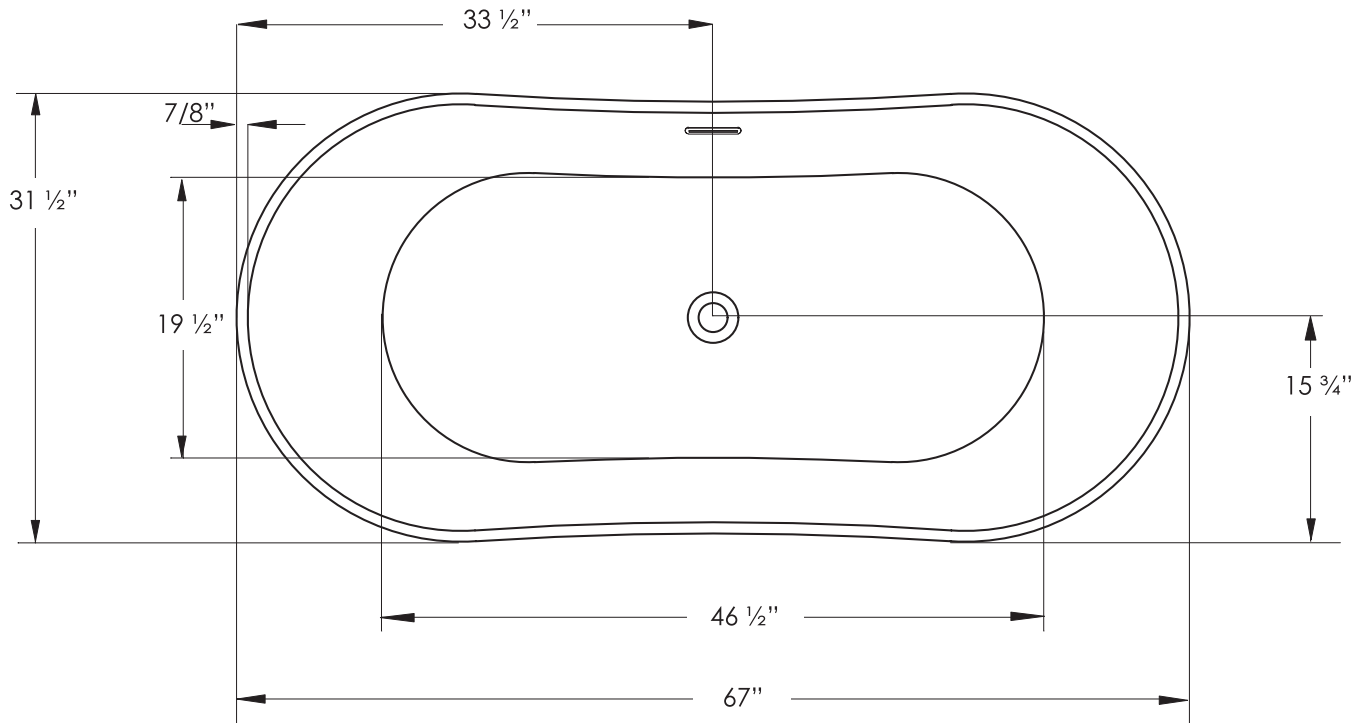
# ELIO J866

SHIPPING WEIGHT: 127 lbs

67"L x 32"W x 27"H

# COSMO+PLUS

TECHNICAL SPECIFICATIONS



JETTASOAK

**INSTALLATION: Measure tub before installing.**

Dimensional variance on drawings may be +/- 1/2 inch and are subject to change without notice.

© 2023 Jetta Corporation. All rights reserved. Specifications are subject to change without notice. REV 4/23



JETTACORP.COM