

COSMO+PLUS

NASH

J864

67" L x 32" W x 23" H

APPROX. OPERATING GALLONS: 53

- Sleek, contemporary look
- High-gloss/high-impact, UV-resistant acrylic will not dull or fade
- Installation: Freestanding
- Magnetic access panel for easy deck mount faucet installation
- Leveling feet
- Integrated linear waste & overflow with white drain cap



COLORS AVAILABLE: White



rear plumbing access panel with magnetic cover

ABOVE FLOOR DRAIN KIT

- Freestanding tub rough-in
 - Install before tile
 - Designed to be installed in a 8" to 10" joist space
 - Can be installed with waterproof membrane
- Sold separately. Not required for tub install.**



JETTACORP.COM

FOR INFORMATION OR
TO PLACE AN ORDER

CALL 1.800.288.7771

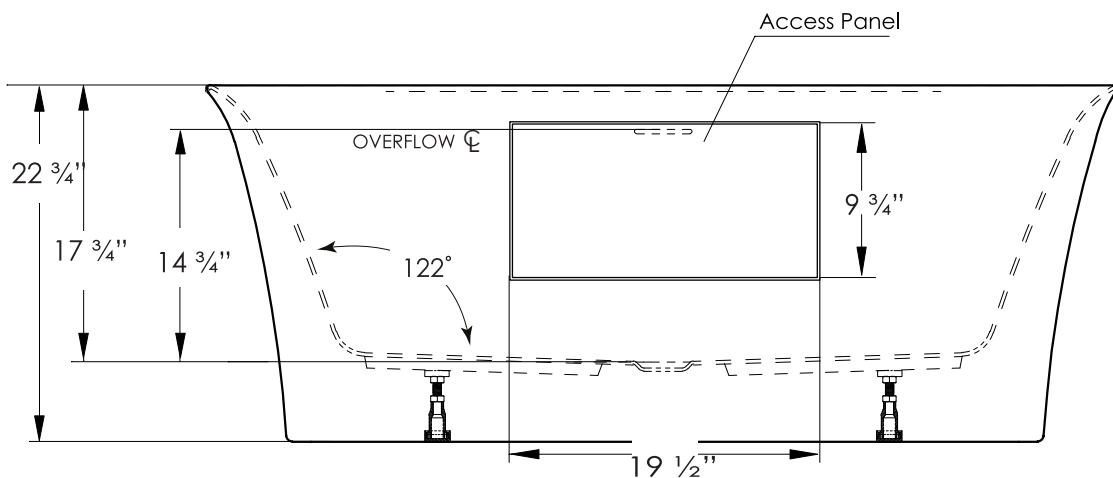
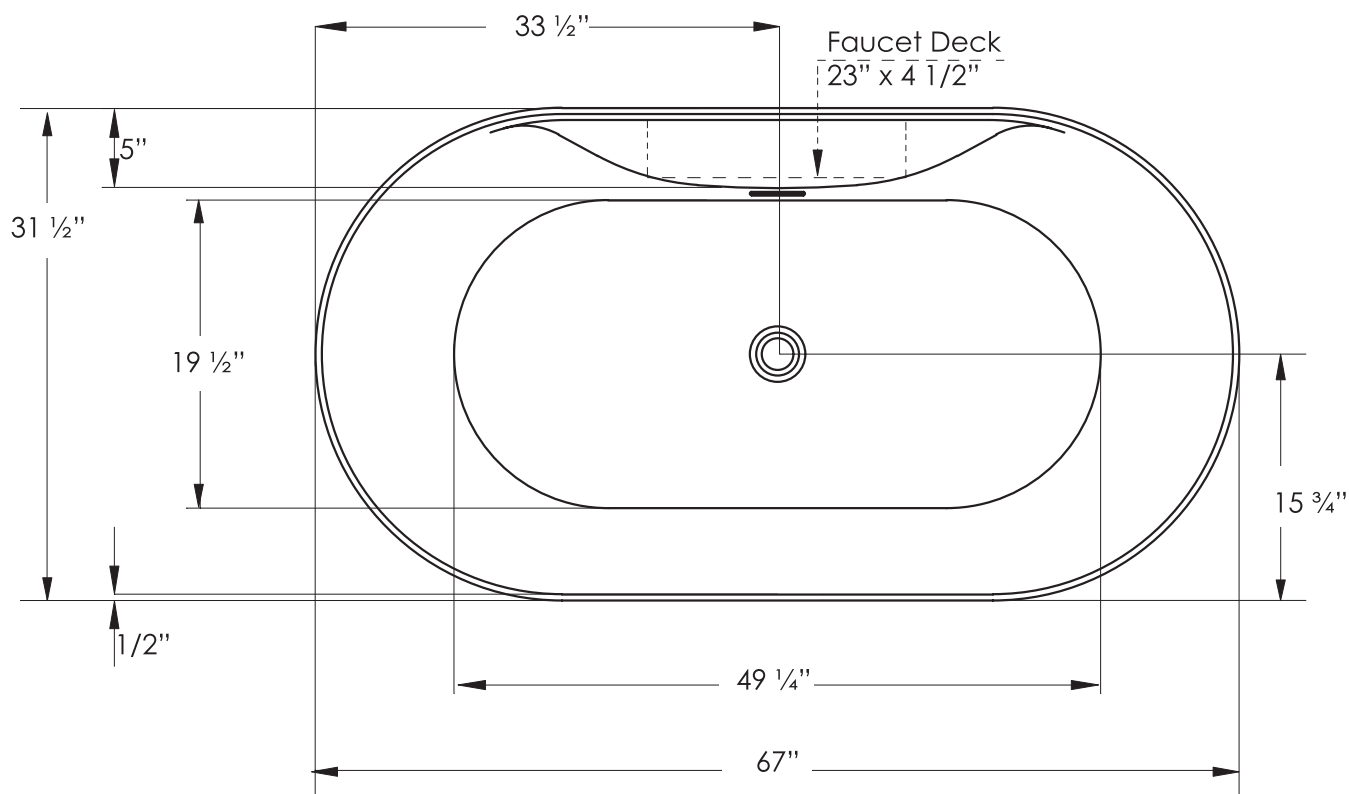
NASH J864

SHIPPING WEIGHT: 127 lbs

67" L x 32" W x 23" H

COSMO PLUS

TECHNICAL SPECIFICATIONS



INSTALLATION: Measure tub before installing.

Dimensional variance on drawings may be +/- 1/2 inch and are subject to change without notice.

© 2023 Jetta Corporation. All rights reserved. Specifications are subject to change without notice. REV 4/23



JETTACORP.COM