

Affinity Collection

J-52L

66" X 36" X 21"

END DRAIN



JETTASOAK
HYDROTHERAPY

JETTA

PORTER

66" X 36" X 21" - RECTANGLE (1 PERSON)

FEATURES

- Suitable for drop-in or undermount applications
- High gloss/high impact acrylic
- Totally insulated with polyurethane foam
- Pre-leveled lip
- Slip resistant bottom
- Linear drain
- 10 year limited factory warranty

OPTIONS AVAILABLE

- Mood or LED light
- Contoured neck pillow or Deluxe contoured neck pillow
- 6" acrylic grab bars

COLORS AVAILABLE

Standard Color: White

Decorator Colors*: Bone, Biscuit, Black, Ice Grey

*Require additional lead time

RECOMMENDED OPERATING GALLONS

Minimum: 46

Maximum: 92



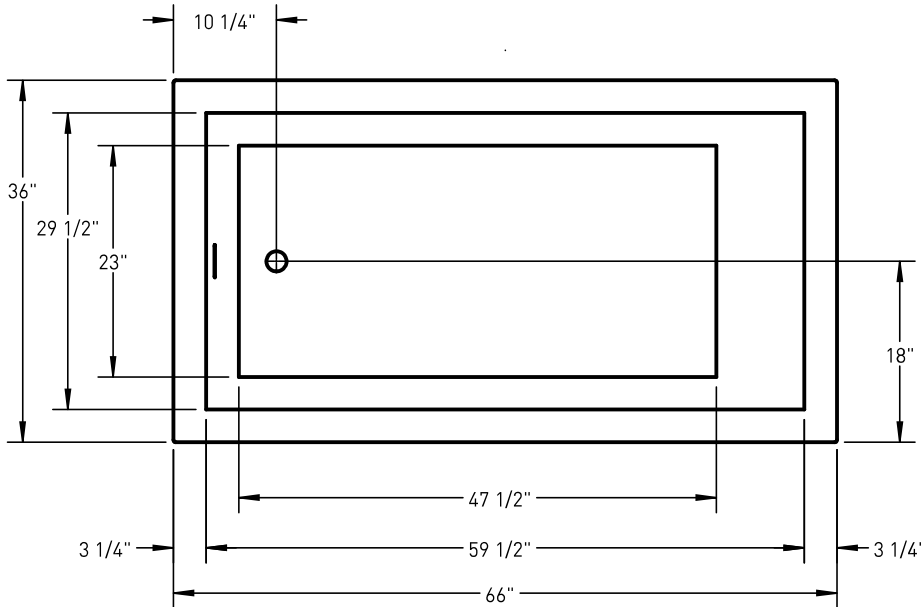
JETTACORP.COM



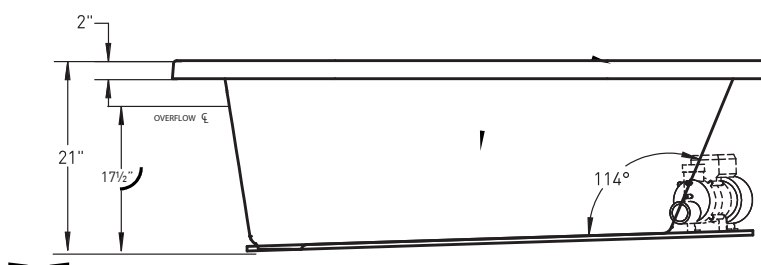
J-52L

Affinity Collection **PORTER**

JETTA SOAK HYDROTHERAPY | 66" X 36" X 21" | END DRAIN



Note: optional pump/blower positions available. for right side drain, L/B for left side drain



ELECTRICAL SPECIFICATIONS**

Required Electrical Service
110/115 Volts | 15 amp GFI

CODES/STANDARDS APPLICABLE

for the following standards: UL Listed**, ANSI, ASME

DROP-IN CUT OUT DIMENSIONS

Subtract 1" from length and width dimensions
Actual cut out dimension 65" x 35"

SHIPPING WEIGHT 145 lbs



**Required only if optional mood or LED light is specified

INSTALLATION: MEASURE TUB BEFORE BUILDING TUB DECK.

For best results, Jetta Corporation recommends 1"-3" of mortar bedding under the tub base for maximum support. Contact Jetta for details. Dimensional variance on drawings may be +/- 1/2 inch and are subject to change without notice.

JETTACORP.COM



© 2016 Jetta Corporation. All rights reserved. Specifications are subject to change without notice. REV 01/2016

TECHNICAL SPECIFICATIONS