

ST. JOHN J-2X

72" X 36" X 24" END DRAIN



COMBO
HYDROTHERAPY

RECTANGLE • 1 PERSON

OPERATING GALLONS

REGULAR USAGE - 40 GAL.
UPPER BODY USAGE - 85 GAL.



FEATURES

GENERAL

- High-gloss, high-impact, UV-resistant acrylic will not dull or fade
- Suitable for drop-in application
- Slip resistant bottom

SYSTEM

- 7 flow-adjustable and directional jets, including:
 - 3-pack rotating back jets
 - 2 side jets
 - 2 foot jets
- 2 B.H.P pump - 9 Amps
- Tri-stage control for adjustable pump flow rates
- Passive warm air induction system
- Rotating back jets are adjustable to stationary jets
- Upper body jets can be shut down for operation at a lower water level

AIR SYSTEM

- Seamless air injectors around tub perimeter
- Variable speed blower motor with 600 watt heater: 115 Volt - 10 Amps - 1 HP
- Mood light standard
- Electronic keypad control with variable speeds and 3 settings - Pulse, Wave, or Continuous

COMFORT

- Armrests, Headrest, Footrests
- Totally insulated with eco-friendly polyurethane foam for a warmer bathing experience

CLEANLINESS

- Acrylic is easy to clean with standard non-abrasive household cleaning products
- Plumbed with anti-microbial flex piping
- Arched plumbing provides gravity flow draining for sanitary bathing
- Automatic purge keeps lines clean and dry

OPTIONS AVAILABLE

- LED lights
- Bath waste & overflows
- Spa Pillows
- Neck jet therapy system
- Aromatherapy
- 6" acrylic grab bars
- Inline heater
- Upgrade pump size
- Extra jets/specialty jet upgrade
- Removable skirt
- ABS tile flange

TRIM KIT FINISHES

- Polished chrome
- Satin nickel
- Oil rubbed bronze
- Polished brass

COLORS AVAILABLE

Standard Colors

White, Biscuit

DECORATOR COLORS

Bone, Black, Ice Grey

WARRANTY

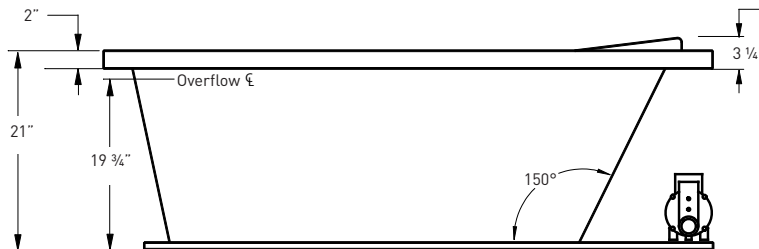
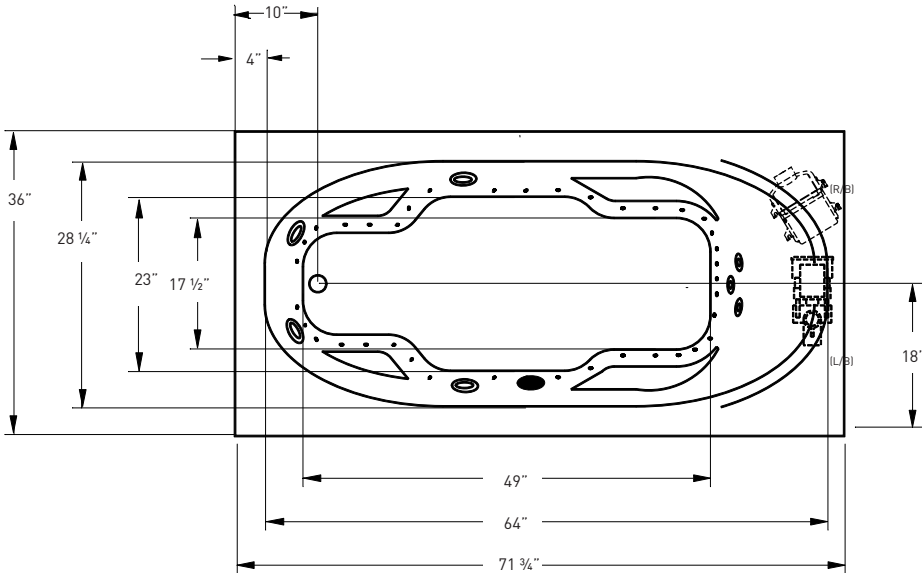
10-year limited factory warranty



Jetta guarantees that the water in our insulated whirlpool baths will stay within 2 degrees of its original fill temperature for 30 minutes of use without an inline heater.



JETTA COMBO HYDROTHERAPY | 72" X 36" X 24" | END DRAIN



ELECTRICAL SPECIFICATIONS

Required Electrical Service 110/115 Volts
 Standard Whirlpool 20 amp GFI
 Standard Air 20 amp GFI
 Each pump and blower must be protected by a dedicated GFI breaker (refer to local codes).

CODES/STANDARDS APPLICABLE

Specific model meets or exceeds the requirements for the following standards: ANSI, ASME

SUGGESTED PUMP ACCESS PANEL

Suggested access size 20" x 12"
 Actual size may vary depending on distance of access to pump and blower location.

DROP-IN CUT OUT DIMENSIONS

Subtract 1" from length and width dimensions
 Actual cut out dimension 71" x 35"

SHIPPING WEIGHT 199 lbs



*L/B pump and R/B air positions are standard.
 Custom pump and blower locations available upon request.

INSTALLATION: MEASURE TUB BEFORE BUILDING TUB DECK.

For best results, Jetta Corporation recommends 1"-3" of mortar bedding under the tub base for maximum support. Drawing shows manufacturer's standard pump location(s). Contact Jetta for details. Dimensional variance on drawings may be +/- 1/2 inch and are subject to change without notice.

JETTACORP.COM



© 2017 Jetta Corporation. All rights reserved. Specifications are subject to change without notice.
 REV 06/2017