

THIS TUB COMES IN THE FOLLOWING LINES

CLASSIC

# FIJI J-12

60" X 32" X 21" END DRAIN



JETTASOAK  
HYDROTHERAPY

RECTANGLE • 1 PERSON

OPERATING GALLONS  
REGULAR USAGE - 40 GAL.



## FEATURES

### GENERAL

- High-gloss, High-impact, UV-resistant acrylic will not dull or fade
- Suitable for drop-in application
- Slip resistant bottom

### COMFORT

- Armrests
- Lumbar back support
- Totally insulated with eco-friendly polyurethane foam for a warmer bathing experience

### CLEANLINESS

- Acrylic is easy to clean with standard non-abrasive household cleaning products

## OPTIONS AVAILABLE

- Mood or LED lights
- Bath waste & overflows
- Spa Pillows
- 6" acrylic grab bars
- Removable skirt
- ABS tile flange

## COLORS AVAILABLE

### STANDARD COLORS

White, Biscuit

### DECORATOR COLORS

Bone, Black, Ice Grey

## WARRANTY

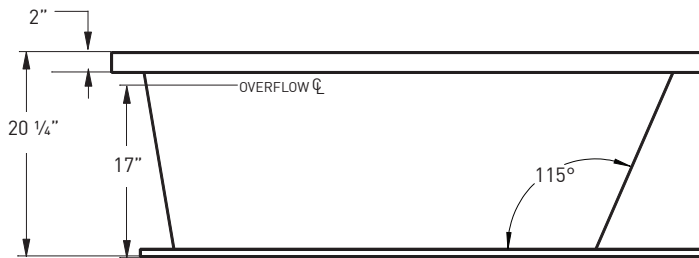
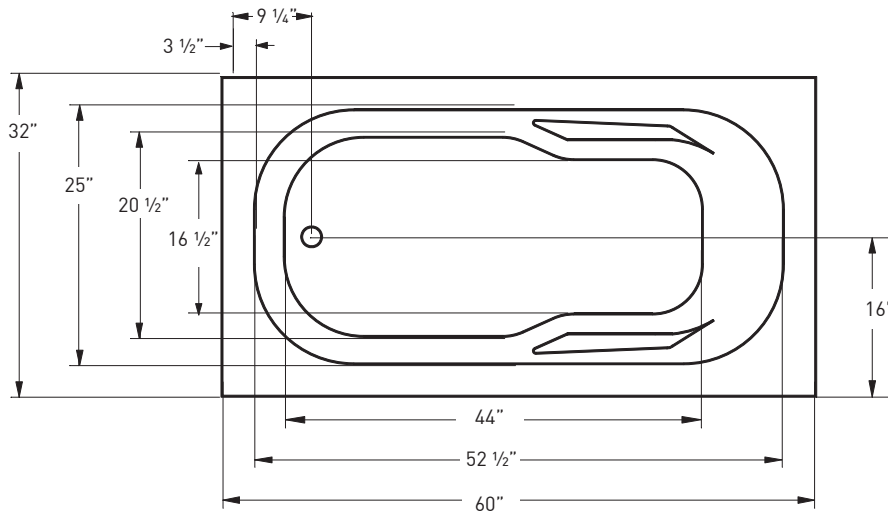
10-year limited factory warranty



# J-12

Classic Collection **FIJI**

## JETTA SOAK HYDROTHERAPY | 60" X 32" X 21" | END DRAIN



### ELECTRICAL SPECIFICATIONS\*

Required Electrical Service  
110/115 Volts | 15 amp GFI

### CODES/STANDARDS APPLICABLE

Specific model meets or exceeds the requirements for the following standards: ANSI, ASME

### DROP-IN CUT OUT DIMENSIONS

Subtract 1" from length and width dimensions  
Actual cut out dimension 59" x 31"

SHIPPING WEIGHT 150 lbs



\*Required only if optional mood or LED light is specified

### INSTALLATION: MEASURE TUB BEFORE BUILDING TUB DECK.

For best results, Jetta Corporation recommends 1"-3" of mortar bedding under the tub base for maximum support. Contact Jetta for details. Dimensional variance on drawings may be +/- 1/2 inch and are subject to change without notice.

JETTACORP.COM



© 2017 Jetta Corporation. All rights reserved. Specifications are subject to change without notice.  
REV 07/2017

# TECHNICAL SPECIFICATIONS